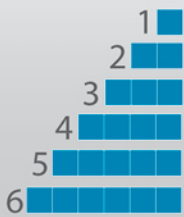


# PASSENGER SEATS



# MY 3003 Marine

Passenger Seats



## Non-Reclining Seat

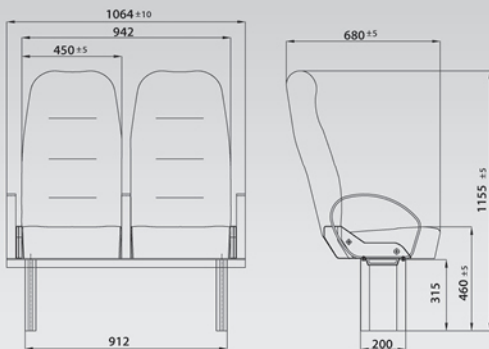
Available as single, double, triple or in combinations of 4,5 or 6 seats

### Options

- Legs
- Life Vest Holder
- Snack Tray
- Armrests
- Magazine Net



Dimensions



The seats are equipped with corrosion-resistant and fire-resistant materials, providing the highest standard of quality and safety



Approved by  
Turkish Lloyd

# MY 3002 Marine

Passenger Seats

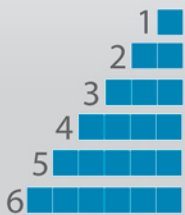


## Reclining Seat

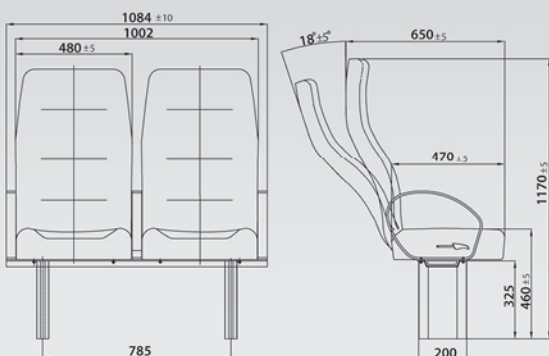
Available as single, double, triple or in combinations of 4,5 or 6 seats

### Options

- Legs      ● Life Vest Holder      ● Snack Tray
- Armrests      ● Magazine Net



Dimensions



The seats are equipped with corrosion-resistant and fire-resistant materials, providing the highest standard of quality and safety



Approved by  
Turkish Lloyd

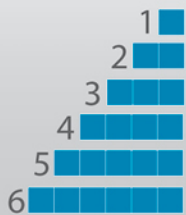


# MY 3000 Marine

Passenger Seats



## Non-Reclining Seat



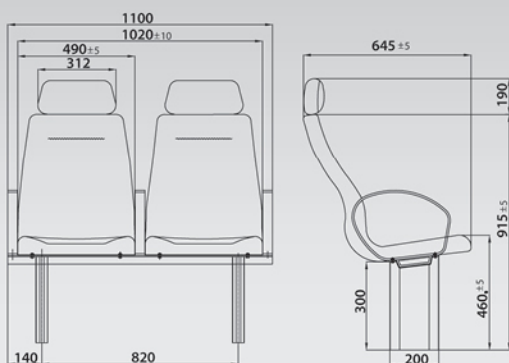
Available as single, double, triple or in combinations of 4,5 or 6 seats

### Options

- Legs
- Headrest
- Snack Tray
- Armrests
- Magazine Net
- Life Vest Holder



Dimensions



The seats are equipped with corrosion-resistant and fire-resistant materials, providing the highest standard of quality and safety



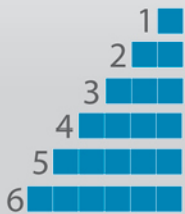
Approved by  
Turkish Lloyd

# MYP 907 Marine

Passenger Seats



## Non-Reclining Seat / Outdoors



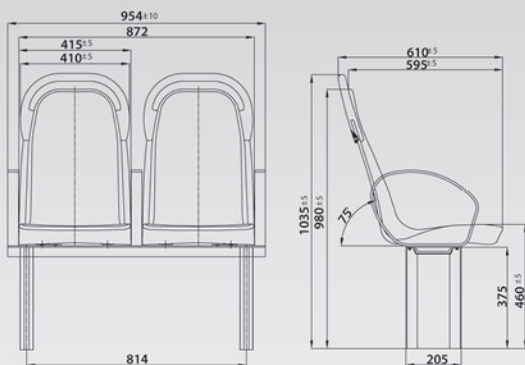
Available as single, double, triple or in combinations of 4,5 or 6 seats

### Options

- Legs
- Life Vest Holder
- Snack Tray
- Armrests
- Magazine Net



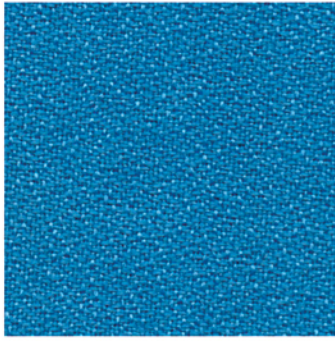
Dimensions



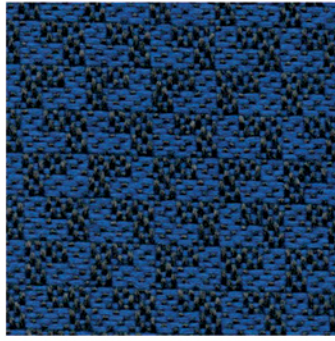
The seats are equipped with corrosion-resistant and fire-resistant materials, providing the highest standard of quality and safety



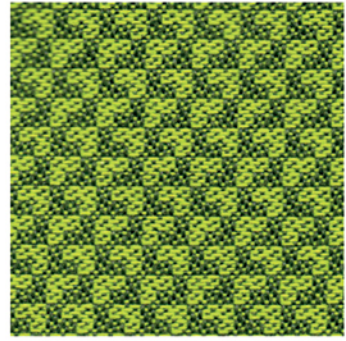
## Some examples of Fabric Trims



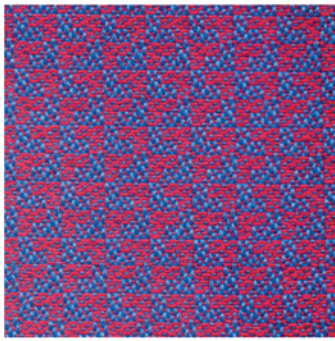
C 86



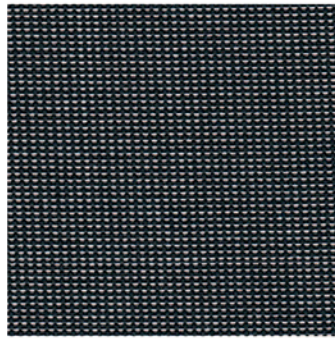
Marine V-07



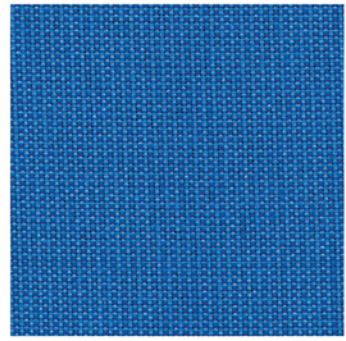
Marine V-08



Marine V-12



Samara V-06



Samara V-08

## Armrest Options



**A 18**

Adjustable and foldable armrest covered with foam and leather



**A 53**

Adjustable and foldable armrest

\*  
The armrests pictured above do not constitute all the models of Pilot's products. They are the models designed for marine captain seating.

## Explanations of Symbols



Pneumatic suspension with automatic weight adjustment



Mechanical suspension with manual weight adjustment



Lumbar adjustment for better ergonomics



Mounting rail for ease of assembly to vessel



Fore and aft adjustment



Seat cushion depth adjustment for extra leg support



Seat tilt adjustment for better comfort while working in steep angles



Turn table to allow access to various controls



Height adjustment to adjust to various operators



Fully foldable backrest for ease of access



Backrest adjustment for providing further comfort



Height adjustable pedestal for better visibility