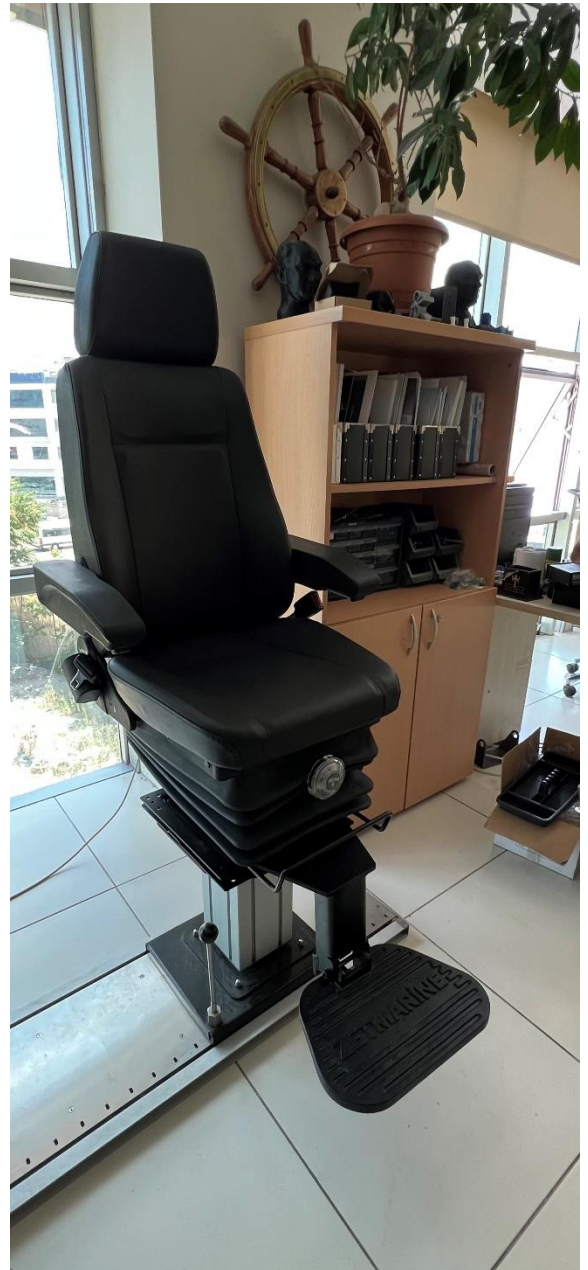


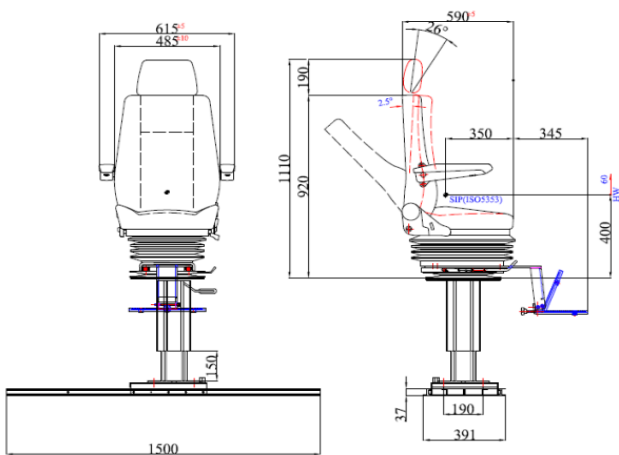
1098 M

Marine Captain Seats

Technical Specifications	
Air suspension	Δ
Air suspension with 12V or 24V built-in compressor	Δ
Mechanical suspension	▲
Quick release	N/A
Weight adjustment	Automatic up to 650 kgs
Suspension stroke	100mm
Height adjustable with turntable	Δ
Adjustable shock absorber	N/A
Turn table	Δ
Adjustable shock absorber	▲
Slide travel	170mm
Lumbar adjustment	Δ
Adjustable armrests	Δ
Adjustable headrest	Δ
Backrest adjustment	▲
Seat cushion tilt adjustment	60 mm
Seat cushion depth adjustment	N/A
Vinyl trim	▲
Cloth trim	Δ
Genuine leather trim	Δ
Document pouch	Δ
Front Controls	Δ
LH Controls	▲
RH Controls	Δ
Footrest KIT	Δ
Adjustable mounting rail	Δ
Standard connection with pedestal	190 x 190 mm
Standard connection of seat	216mm



▲	Standard
Δ	Optional
N/A	Not Available



Seat Weight	50 kg
Pedestal Weight	20 kg
Rail Weight(1500mm)	28 kg